



2020 version

A large yellow tracked bulldozer is the central focus of the image. It is positioned on a dark, rocky terrain at night. The bulldozer's headlights are turned on, casting a bright glow. The background shows a dark landscape with a body of water and distant hills under a cloudy night sky.

LED AUTOMOTIVE LAMPS

Factory since 2010

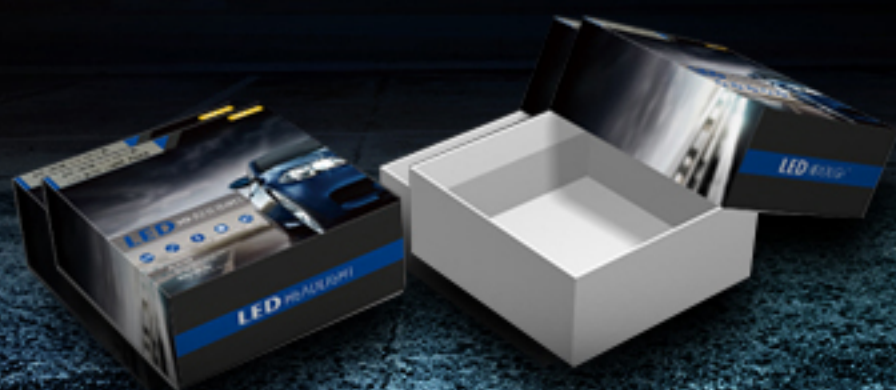
东莞市霍晶光电科技有限公司
Dongguang Hawking LED Lighting co, LTD

About Us

As a technology-creative enterprise since 2010, HAWKING LED LIGHTING CO LTD is focused on the research, development, and marketing of LED automotive lightings including LED headlight replacement bulbs, LED work lamps, LED light bars, LED roof lights and many others, as well as optic supporting services for vehicle OEMs, based upon our great advantages in LED light sources and LED optical application design. We provide only top quality LED lights to customers worldwide for the auto aftermarket and off-road use with excellent services exceeding your expectations!

Dear friends, we are striving to be at the forefront of innovative technologies of LED automotive lights. Looking forward to creating a win-win future together with you and your esteemed company.

作为一个以技术创新为宗旨的企业，霍晶光电自2010成立以来，一直致力于研究、开发、生产和销售包括LED汽车大灯、LED工作灯、LED条灯、LED车顶灯等在内的一系列LED汽车照明产品，同时由于在LED汽车光源以及光学设计方面具有独特的优势，霍晶光电也可以为汽车OEM提供配套的光学支持服务。霍晶光电面向全球售后市场以及越野车附件使用领域，提供最高品质的LED汽车灯，不断地超越您的期望！亲爱的朋友们，我们致力于走在LED汽车照明创新技术的最新前沿。期待与贵司一起合作共赢，互惠互利！



HAWKING LED CATALOG 2020

- SMART SEARCHING LIGHT.....1-1
- COMBINATION WORK LIGHT.....2-2
- LED WORK LIGHT.....3-12
- RECHARGEABLE WORK LIGHT.....13-13
- LED LIGHT BAR.....14-36
- LED SEALED BEAM.....37-38
- LED HEADLIGHT.....39-39
- FORKLIFT WARNING LIGHT40-41
- MOTORCYCLE LED LIGHT.....42-42

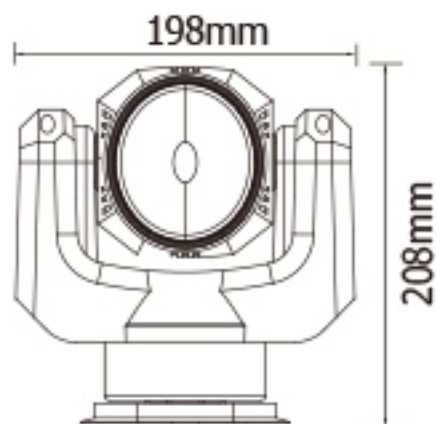
A white boat is shown from a high-angle perspective, sailing on a deep blue ocean. A searchlight is mounted on the deck, and a bright beam of light is visible on the water's surface. The sky is clear and light blue. A dark grey rectangular box is overlaid on the right side of the image, containing the text 'SMART SEARCHING LIGHT' in large, bold, yellow capital letters.

SMART SEARCHING LIGHT



SL-X 90W

The SL-X Smart LED Work Light is designed to rotate freely with the head, under the control of the Auto-induction Controller, which makes the direction of light follow wherever eyes gaze at in synchronization. SL-X comes with two parts, the lamp and the controller, the lamp is mounted at the top of the vehicles, while the controller is taken by hand (Manual control) or mounted above the safety helmet (Auto-induction Control). SL-X can greatly improve work efficiency or enhance safety, especially during night construction or working due to inadequate light which cause the visual blind spots. SL-X can be widely used on excavators, mining equipments, trucks, searching, boats, fishing, hunting, etc.



PARAMETERS

Input Voltage: 10-80V, DC
 Rated Power: 90W
 LEDs: Cree
 Raw Lumens: 9000lm
 Color Temp.: 6000-6500K
 Beam Pattern: Spot

STRUCTURES

Housing Materials: Die-Cast Alu.
 Lens Materials: PC
 Brackets: 304# SS
 Harness: Silicone
 Housing Color: black and white

APPLICATION

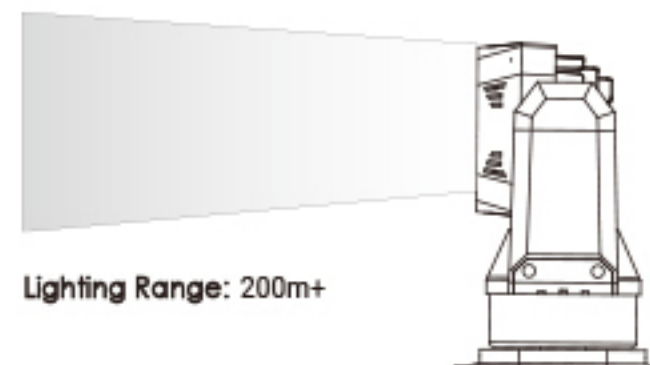
Excavators, mining machines, trucks, search & rescue equipment, fishing, hunting special vehicles, etc.



Bluetooth Control Range:
 Max. 30m

Every lamp comes with an unique ID, which makes them totally independent of each other if many SL-X lamps are working in the same working scene.

SMART SEARCHING LIGHT

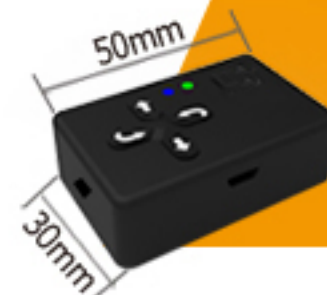


Lighting Range: 200m+

Control Mode

Automatic or Manual Control

- Auto-Manual Switch
- Indicators
- Direction Keys
- On-Off Switch
- Charging Switch



COMBINATION WORK LIGHT





Approved



Approved

HK-CL02

30W/20W



PARAMETERS

Input Voltage:10-80V,DC

Rated Power: High/low beam @ 30W/20W

LEDs: Cree

Raw Lumens: high/low beam @3000m/2000lm

Color Temp.: 6000-6500K

Beam Pattern: High beam, low beam, DRL, turning, LED display

STRUCTURES

Housing Materials: Die-Cast Alu.

Lens Materials: PC

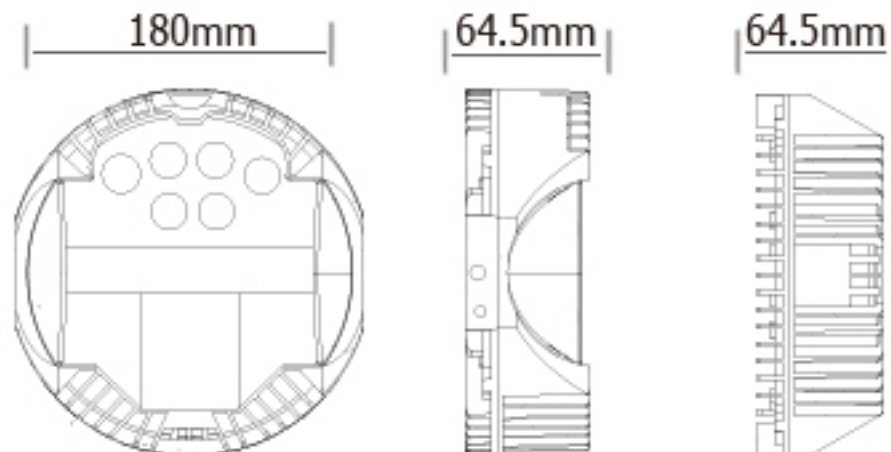
Brackets: 304# SS

Harness: Silicone

Housing Color: black

APPLICATION

Off road, truck, Jeeps, ATV, TUV, boats, etc.



COMBINATION LED WORK LIGHT

HK-CL01

30W



PARAMETERS

Input Voltage:10-80V,DC

Rated Power: 30W work light, 2W side maker, 2W turning

LEDs: Cree

Raw Lumens: 3000m work light

Color Temp.: 6000-6500K

Beam Pattern: Spot, flood, side maker, turning

STRUCTURES

Housing Materials: Die-Cast Alu.

Lens Materials: PC

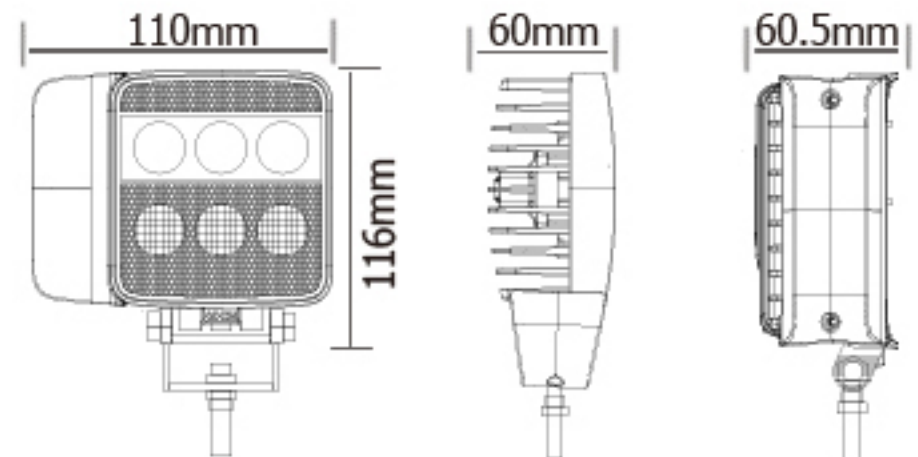
Brackets: 304# SS

Harness: Silicone

Housing Color: black

APPLICATION

Agriculture machines, heavy duties, special vehicles etc.



LED WORK LIGHT





Approved



Approved



E9

HK-WL-EX01

72W

PARAMETERS

Input Voltage:10-80V,DC
 Rated Power: 72W
 LEDs: Cree
 Raw Lumens: 7200lm
 Color Temp.: 6000-6500K
 Beam Pattern: Spot or flood
 Size: 6 inch



STRUCTURES

Housing Materials: Die-Cast Alu.
 Lens Materials: PC
 Brackets: 304# SS ,wide & thick
 Harness: Silicone
 Housing Color: black

APPLICATION

Universal fit, widely used.
 If installed on excavators,
 dedicated plugs can be attached
 for different brands of excavators.



HK-WL-EX02

45W

PARAMETERS

Input Voltage:10-80V,DC
 Rated Power: 45W
 LEDs: Cree
 Raw Lumens: 4500lm
 Color Temp.: 6000-6500K
 Beam Pattern: Spot
 Size: 6 inch



STRUCTURES

Housing Materials: Die-Cast Alu.
 Lens Materials: PC
 Brackets: 304# SS, 2.0mm thickness
 Harness: Silicone
 Housing Color: black

APPLICATION

Universal fit, widely used.



LED WORK LIGHT

Dedicated plugs for
 different excavators



Approved



Approved



E9

HK-WL-EX03

36W

PARAMETERS

Input Voltage:10-80V,DC
 Rated Power: 36W
 LEDs: Cree
 Raw Lumens: 3600lm
 Color Temp.: 6000-6500K
 Beam Pattern: Spot
 Size: 6 inch



STRUCTURES

Housing Materials: Die-Cast Alu.
 Lens Materials: PC
 Brackets: 304# SS 2.0mm thickness
 Harness: Silicone
 Housing Color: black



APPLICATION

Universal fit, widely used.

HK-WL-EX02

24W

PARAMETERS

Input Voltage:10-80V,DC
 Rated Power: 24W
 LEDs: Cree
 Raw Lumens: 2400lm
 Color Temp.: 6000-6500K
 Beam Pattern: Spot
 Size: 6 inch



STRUCTURES

Housing Materials: Die-Cast Alu.
 Lens Materials: PC
 Brackets: 304# SS,2.0mm thickness
 Harness: Silicone
 Housing Color: black



APPLICATION

Universal fit, widely used.



Approved



Approved



E9

HK-WK-G

48W



PARAMETERS

Input Voltage:10-80V,DC
Rated Power: 48W
LEDs: Cree
Raw Lumens: 4800lm
Color Temp.: 6000-6500K
Beam Pattern: Flood
Size: 4.5 inch

STRUCTURES

Housing Materials: Die-Cast Alu.
Lens Materials: PC
Brackets: 304# SS,2.0mm thickness
Harness: Silicone
Housing Color: black

APPLICATION

Universal fit, widely used.

HK-WL-F

27W



PARAMETERS

Input Voltage:10-80V,DC
Rated Power: 27W
LEDs: Cree
Raw Lumens: 2700lm
Color Temp.: 6000-6500K
Beam Pattern: Flood
Size: 4.5 inch

STRUCTURES

Housing Materials: Die-Cast Alu.
Lens Materials: PC
Brackets: 304# SS,1.6mm thickness
Harness: Silicone
Housing Color: black

APPLICATION

Universal fit, widely used.

HK-WL-C

27W



PARAMETERS

Input Voltage:10-80V,DC
Rated Power: 27W
LEDs: Cree
Raw Lumens: 2700lm
Color Temp.: 6000-6500K
Beam Pattern: Flood
Size: 4.5 inch

STRUCTURES

Housing Materials: Die-Cast Alu.
Lens Materials: PC
Brackets: 304# SS,1.6mm thickness
Harness: Silicone
Housing Color: black

APPLICATION

Universal fit, widely used.



Approved



Approved



E9

HK-WL-G

48W

5D



PARAMETERS

Input Voltage:10-80V,DC
Rated Power: 48W
LEDs: Cree
Raw Lumens: 4800lm
Color Temp.: 6000-6500K
Beam Pattern: 5D lens, spot
Size: 4.5inch

STRUCTURES

Housing Materials: Die-Cast Alu.
Lens Materials: PC
Brackets: 304# SS,2.0mm thickness
Harness: Silicone
Housing Color: black

APPLICATION

Universal fit, widely used.

HK-WL-K2

50W



PARAMETERS

Input Voltage:10-80V,DC
Rated Power: 50W
LEDs: COB leds
Raw Lumens: 4000lm
Color Temp.: 6000-6500K
Beam Pattern: Spot or flood
Size: 4.5 inch

STRUCTURES

Housing Materials: Die-Cast Alu.
Lens Materials: PC
Brackets: 304# SS 2.5mm thickness
Harness: Silicone
Housing Color: black or white

APPLICATION

Universal fit, widely used.

HK-WL-K2S

50W



PARAMETERS

Input Voltage:10-80V,DC
Rated Power: 50W
LEDs: COB leds
Raw Lumens: 4000lm
Color Temp.: 6000-6500K
Beam Pattern: Spot or flood
Size: 4.5 inch

STRUCTURES

Housing Materials: Die-Cast Alu.
Lens Materials: PC
Brackets: 304# SS,2.5mm thickness
Harness: Silicone
Housing Color: black or white

APPLICATION

Universal fit, widely used.



Approved



Approved

WL-HK-C-2

27W

- * 10-30V DC
- * Epistar LEDs
- * Raw 2160lm
- * 6000~6500K
- * Flood/spot
- * PC,Diecast Alu., 304# SS
- * 115*130*43mm
- * NEON: red,yellow,blue



WL-HK-F-4

126W

- * 10-30V DC
- * SMD3030 chips
- * Raw 3780lm
- * 6000~6500K
- * PC,Diecast Alu., 304# SS
- * 115*130*35mm
- * NEON: red,yellow,blue



WL-HK-C-3

27W

- * 10-80V DC
- * Cree LEDs
- * Raw 2700lm
- * 6000~6500K
- * Flood/spot
- * PC,Diecast Alu., 304# SS
- * 115*130*53mm



Cover: red or black

WL-HK-F-2

27W

- * 10-30V DC
- * Epistar LEDs
- * Raw 2160lm
- * 6000~6500K
- * Flood/spot
- * PC,Diecast Alu., 304# SS
- * 115*130*43mm
- * NEON: red,yellow,blue



WL-HK-C-4

72W

- * 10-30V DC
- * SMD3030 chips
- * Raw 2160lm
- * 6000~6500K
- * PC,Diecast Alu., 304# SS *1
- * NEON: red,yellow,blue



WL-HK-F-3

27W

- * 10-80V DC
- * Cree LEDs
- * Raw 2700lm
- * 6000~6500K
- * Flood/spot
- * PC,Diecast Alu., 304# SS
- * 115*130*53mm



Cover: red or black

WL- HK-J

18W

- * 10-30V DC
- * Epistar LEDs
- * Raw 1440lm
- * 6000~6500K
- * Flood/spot
- * PC,Diecast Alu., 304# SS
- * 160*45*55mm



WL- HK-J03

15W

- * 10-30V DC
- * Epistar LEDs
- * Raw 1200lm
- * 6000~6500K
- * Flood/spot
- * PC,Diecast Alu., 304# SS
- * 145*45*70mm



HK-J02

48W

- * 10-30V DC
- * SMD3030 chips
- * Raw 1440lm
- * 6000~6500K
- * PC,Diecast Alu., 304# SS
- * 160*45*55mm



WL- HK-J06

48W

- * 10-30V DC
- * SMD3030 chips
- * Raw 1440lm
- * 6000~6500K
- * PC,Diecast Alu., 304# SS
- * 160*45*55mm
- * 2-Sides Strobe Flashing
- * Strobe color: blue red amber





Approved



Approved

HK-F02

27W

- * 10-30V DC
- * SMD3030 chips
- * Raw 900lm
- * 6000~6500K
- * Flood/spot
- * PC,Diecast Alu., 304# SS
- * 83*100*33mm



Cover: white or amber

MINI

HK-E02

15W

- * 10-30V DC
- * Epistar chips
- * Raw 1200lm
- * 6000~6500K
- * Flood/spot
- * PC,Diecast Alu., 304# SS
- * 83*100*33mm



MINI

HK-C02

27W

- * 10-80V DC
- * Cree LEDs
- * Raw 2160lm
- * 6000~6500K
- * Flood/spot
- * PC,Diecast Alu., 304# SS
- * 83*111*40mm



MINI

HK-RS01

9W

- * 10-30V DC
- * Epistar LEDs
- * Raw 720lm
- * 6000~6500K
- * Flood/spot
- * PC,Diecast Alu., 304# SS
- * 82*82*50mm



MINI

HK-RS02

12W

- * 10-30V DC
- * Epistar LEDs
- * Raw 840lm
- * 6000~6500K
- * Flood/spot
- * PC,Diecast Alu., 304# SS
- * 82*82*50mm



MINI

HK-RS02-2

12W

- * 10-30V DC
- * Epistar LEDs
- * Raw 840lm
- * 6000~6500K
- * Spot-3D
- * PC,Diecast Alu., 304# SS
- * 82*82*50mm



MINI

HK-RS03

18W

- * 10-30V DC
- * Epistar LEDs
- * Raw 1440lm
- * 6000~6500K
- * Spot-3D
- * PC,Diecast Alu., 304# SS
- * 82*82*50mm



MINI

WL- HK-H

10W

- * 10-30V DC
- * Cree LEDs
- * Raw 1000lm
- * 6000~6500K
- * Flood/spot
- * PC,Diecast Alu., 304# SS
- * 55*55*65mm



MINI

WL- HK-I

10W

- * 10-30V DC
- * Cree LEDs
- * Raw 1000lm
- * 6000~6500K
- * Flood/spot
- * PC,Diecast Alu., 304# SS
- * 55*55*65mm



MINI



Approved



Approved

HK-KB01

12W



- * 10-30V DC
- * Epistar LEDs
- * Raw 960lm
- * 6000~6500K
- * Flood/spot
- * PC,Diecast Alu., 304# SS
- * 65*65*52mm

HK-KB02

12W



- * 10-30V DC
- * Cree LEDs
- * Raw 1200lm
- * 6000~6500K
- * Flood/spot
- * PC,Diecast Alu., 304# SS
- * 82*75*68mm

HK-KB03

18W



- * 10-30V DC
- * Cree LEDs
- * Raw 1800lm
- * 6000~6500K
- * Flood/spot
- * PC,Diecast Alu., 304# SS
- * 82*75*68mm

HK-KB04

36W



- * 10-30V DC
- * Cree+SMD3030
- * Raw 1800lm
- * 6000~6500K
- * Flood/spot
- * PC,Diecast Alu., 304# SS
- * 98*75*78mm

HK-KB05

36W

2-Sides Strobe Flashing



- * 10-30V DC
- * Cree+SMD3030
- * Raw 1800lm
- * 6000~6500K
- * Flood/spot
- * PC,Diecast Alu., 304# SS
- * 98*75*78mm
- * 2-sides:white red blue

HK-KB02-2

18W



- * 10-30V DC
- * Cree LEDs
- * Raw 1200lm
- * 6000~6500K
- * Flood/spot
- * PC,Diecast Alu., 304# SS
- * 112*93*73mm

HK-KB03-2

12W



- * 10-30V DC
- * Cree LEDs
- * Raw 1800lm
- * 6000~6500K
- * Flood/spot
- * PC,Diecast Alu., 304# SS
- * 112*93*73mm



Approved



Approved

HK-LH01

27W

- * 10-30V DC
- * Epistar LEDs
- * Raw 2160lm
- * 6000~6500K
- * Flood/spot
- * PC,Diecast Alu., 304# SS
- * 125*130*55mm



HK-LH02

48W

- * 10-30V DC
- * Epistar LEDs
- * Raw 3840lm
- * 6000~6500K
- * Flood/spot
- * PC,Diecast Alu., 304# SS
- * 125*130*55mm



HK-DR07

40W

- * 10-30V DC
- * Epistar LEDs
- * Raw 960lm
- * 6000~6500K
- * Flood/spot
- * PC,Diecast Alu., 304# SS
- * 96*120*50mm



HK-TY01

24W

- * 10-80V DC
- * Epistar LEDs
- * Raw 1920lm
- * 6000~6500K
- * Flood/spot
- * PC,Diecast Alu., 304# SS
- * 89*144*61mm



HK-TY03

36W

- * 10-30V DC
- * Cree LEDs
- * Raw 3600lm
- * 6000~6500K
- * Flood/spot
- * PC,Diecast Alu., 304# SS
- * 180*145*70mm



HK-DR08

40W

- * 10-30V DC
- * Cree LEDs
- * Raw 4000lm
- * 6000~6500K
- * Flood/spot
- * PC,Diecast Alu., 304# SS
- * 150*180*90mm



HK-XL01

72W

- * 10-30V DC
- * SMD3030
- * Raw 3600lm
- * 6000~6500K
- * PC,Diecast Alu., 304# SS
- * 110*127*45mm



HK-XL02

117W

- * 10-30V DC
- * SMD3030
- * Raw 5850lm
- * 6000~6500K
- * Work light + strobe flashing
- * PC,Diecast Alu., 304# SS
- * 113*127*45mm
- * X-strobe color: white and amber



HK-XL03

48W

- * 10-30V DC
- * SMD3030
- * Raw 2400lm
- * 6000~6500K
- * Work light + strobe flashing
- * PC,Diecast Alu., 304# SS
- * 110*127*45mm
- * X-strobe color: white and amber



HK-XL04

36W

- * 10-30V DC
- * Epistar LEDs
- * Raw 1800lm
- * 6000~6500K
- * Work light + strobe flashing
- * PC,Diecast Alu., 304# SS
- * 113*127*45mm
- * Y-strobe color: white and amber





Approved



Approved

HK-HP01

5W

- * 10-30V DC
- * Epistar LEDs
- * Raw 4080lm
- * 6000~6500K
- * Flood/spot
- * PC,Diecast Alu., 304# SS
- * 180*175*50mm



* shell: red black yellow

HK-HP06

185W

- * 10-30V DC
- * SMD3030 chips
- * Raw 5550lm
- * 6000~6500K
- * Flood/spot
- * PC,Diecast Alu., 304# SS
- * 225*225*55mm



* shell: red black

HK-HP08

60W

- * 10-30V DC
- * Cree chips
- * Raw 6000lm
- * 6000~6500K
- * Spot
- * PC,Diecast Alu., 304# SS
- * 215*185*85mm



HK-HP09

90W

- * 10-30V DC
- * Cree chips
- * Raw 9000lm
- * 6000~6500K
- * Spot
- * PC,Diecast Alu., 304# SS
- * 211*180*94mm



HK-HP10

90W

- * 10-30V DC
- * Cree chips
- * Raw 9000lm
- * 6000~6500K
- * Spot
- * PC,Diecast Alu., 304# SS
- * 170*135*118mm



HK-HP11

48W

- * 10-30V DC
- * Cree chips
- * Raw 4800lm
- * 6000~6500K
- * Spot
- * PC,Diecast Alu., 304# SS
- * 120*110*80mm



HK-HP12

50W

- * 10-30V DC
- * Cree chips
- * Raw 5000lm
- * 6000~6500K
- * Spot/spot
- * PC,Diecast Alu., Alu. alloy, 304# SSscrews
- * 110*110*80mm



WL-HK-A

18W

- * 10-30V DC
- * Epistar LEDs
- * Raw 1440lm
- * 6000~6500K
- * Flood/spot
- * PC,Diecast Alu., 304# SS
- * 115*130*50mm



WL-HK-B

24W

- * 10-30V DC
- * Epistar LEDs
- * Raw 1440lm
- * 6000~6500K
- * Flood/spot
- * PC,Diecast Alu., 304# SS
- * 115*130*50mm



WL-HK-E

24W

- * 10-30V DC
- * Epistar LEDs
- * Raw 1920lm
- * 6000~6500K
- * Flood/spot
- * PC,Diecast Alu., 304# SS
- * 100*115*45mm



WL-HK-D

42W

- * 10-30V DC
- * Cree LEDs
- * Raw 4800lm
- * 6000~6500K
- * Flood/spot
- * PC,Diecast Alu., 304# SS
- * 115*130*55mm





Approved



Approved

HK-SL01

18W

- * 10-30V DC
- * Epistar LEDs
- * Raw 1440lm
- * 6000~6500K
- * Flood/spot
- * PC,Diecast Alu., 304# SS
- * 111*90*62mm



HK-SL02

24W

- * 10-30V DC
- * Epistar LEDs
- * Raw 1920lm
- * 6000~6500K
- * Flood/spot
- * PC,Diecast Alu., 304# SS
- * 152*108*66mm



HK-SL04

27W

- * 10-30V DC
- * Philips LEDs
- * Raw 2700lm
- * 6000~6500K
- * Low beam
- * PC,Diecast Alu., 304# SS
- * 130*100*50mm



HK-SL05

27W

- * 10-30V DC
- * Philips LEDs
- * Raw 2700lm
- * 6000~6500K
- * Low beam
- * PC,Diecast Alu., 304# SS
- * 130*100*50mm



HK-SL06

45W

- * 10-30V DC
- * Cree LEDs
- * Raw 5000lm
- * 6000~6500K
- * Low beam
- * PC,Diecast Alu., 304# SS
- * 170*105*80mm



HK-SL07

18W

- * 10-30V DC
- * Epistar LEDs
- * Raw 1440lm
- * 6000~6500K
- * Flood/spot
- * PC,Diecast Alu., 304# SS
- * 110*115*56mm



HK-SL08

9W

- * 10-30V DC
- * Epistar LEDs
- * Raw 720lm
- * 6000~6500K
- * Flood/spot
- * PC,Diecast Alu., 304# SS
- * 110*115*56mm



HK-SL09

18W

- * 10-30V DC
- * Epistar LEDs
- * Raw 1440lm
- * 6000~6500K
- * Flood/spot
- * PC,Diecast Alu., 304# SS
- * 110*115*56mm



HK-SL10

45W

- * 10-30V DC
- * Epistar LEDs
- * Raw 3600lm
- * 6000~6500K
- * Flood/spot
- * PC,Diecast Alu., 304# SS
- * 125*130*55mm



RECHARGEABLE WORK LIGHT





Approved



Approved

HK-SF01

15W



PARAMETERS

Input Voltage:10-24V,DC

Rated Power: 15W

LEDs: Epistar

Raw Lumens: 1200lm

Color Temp.: 6000-6500K

Beam Pattern: 100% white steady, 70% white steady, red flash,blue flash

Size: H 230 x D 100 x W 115(mm)

STRUCTURES

Housing Materials: Die-Cast Alu.

Lens Materials: PC

Harness: Silicone

Housing Color: black

Charge Interface: Integrated

Operating Switch: Integrated

Battery Run Time: Round 4 hours (if full charged)

Charge Time: less than 6 hours



APPLICATION

Widely used for DIY, Construction,

Workshops, Camping,

Breakdowns, Inspections, Mining,

Emergency Services,

Fishing and many more where a flexible lamp is required.

PORTABLE WORK LIGHT

HK-SF02

15W



PARAMETERS

Input Voltage:10-24V,DC

Rated Power: 15W

LEDs: Epistar

Raw Lumens: 1200lm

Color Temp.: 6000-6500K

Beam Pattern: 100% white steady, 70% white steady, red flash,blue flash

Size: H 300 x D 95 x W 48(mm)

STRUCTURES

Housing Materials: Die-Cast Alu.

Lens Materials: PC

Harness: Silicone

Housing Color: black

Charge Interface: Integrated

Operating Switch: Integrated

Battery Run Time: Round 4 hours (if full charged)

Charge Time: less than 6 hours



APPLICATION

Widely used for DIY, Construction,

Workshops, Camping,

Breakdowns, Inspections, Mining,

Emergency Services,

Fishing and many more where a flexible lamp is required.

A white SUV is shown from a front-three-quarter view, driving through a river. The vehicle is splashing water, and a long, multi-lens LED light bar is mounted on its roof. The background consists of rocky, moss-covered hills under a cloudy sky. A dark horizontal band with orange text is overlaid across the middle of the image.

LED LIGHT BAR



Approved



Approved

BAR-HK-A1

36W

7.5inch

- * Operating Voltage: 10-30V,DC
- * Rated Power: 36W
- * LEDs: Cree, 12pcs
- * Raw Lumens:3600lm
- * Color Temp.: 6000~6500K
- * Operating Temp.: -40 to +60 degrees
- * Beam: Flood/spot/combo
- * Material: PC cover, Alu. housing, silicone harness
- * Brackets: thick side legs, with rubber foot gasket
- * Bar Size: 7.5inch
- * IP Rating: IP67



BAR-HK-A1

72W

13.5inch

- * Operating Voltage: 10-30V,DC
- * Rated Power: 72W
- * LEDs: Cree, 24pcs
- * Raw Lumens: 7200lm
- * Color Temp.: 6000~6500K
- * Operating Temp.: -40 to +60 degrees
- * Beam: Flood/spot/combo
- * Material: PC cover, Alu. housing, silicone harness
- * Brackets: thick side legs, with rubber foot gasket
- * Bar Size: 13.5inch
- * IP Rating: IP67



BAR-HK-A1

120W

21.5inch

- * Operating Voltage: 10-30V,DC
- * Rated Power: 120w
- * LEDs: Cree, 40pcs
- * Raw Lumens:12000lm
- * Color Temp.: 6000~6500K
- * Operating Temp.: -40 to +60 degrees
- * Beam: Flood/spot/combo
- * Material: PC cover, Alu. housing, silicone harness
- * Brackets: thick side legs, with rubber foot gasket
- * Bar Size: 21.5inch
- * IP Rating: IP67



BAR-HK-A1

180W

31.5inch

- * Operating Voltage: 10-30V,DC
- * Rated Power: 180W
- * LEDs: Cree, 60pcs
- * Raw Lumens:18000lm
- * Color Temp.: 6000~6500K
- * Operating Temp.: -40 to +60 degrees
- * Beam: Flood/spot/combo
- * Material: PC cover, Alu. housing, silicone harness
- * Brackets: thick side legs, with rubber foot gasket
- * Bar Size: 31.5inch
- * IP Rating: IP67





Approved



Approved



BAR-HK-A1

240W

41.6inch

- * Operating Voltage: 10-30V,DC
- * Rated Power: 240W
- * LEDs: Cree, 80pcs
- * Raw Lumens:24000lm
- * Color Temp.: 6000~6500K
- * Operating Temp.: -40 to +60 degrees
- * Beam: Flood/spot/combo
- * Material: PC cover, Alu. housing, silicone harness
- * Brackets: thick side legs, with rubber foot gasket
- * Bar Size: 41.6inch
- * IP Rating: IP67

BAR-HK-A1

288W

49.6inch

- * Operating Voltage: 10-30V,DC
- * Rated Power: 288W
- * LEDs: Cree, 96pcs
- * Raw Lumens:28800lm
- * Color Temp.: 6000~6500K
- * Operating Temp.: -40 to +60 degrees
- * Beam: Flood/spot/combo
- * Material: PC cover, Alu. housing, silicone harness
- * Brackets: thick side legs, with rubber foot gasket
- * Bar Size: 49.6inch
- * IP Rating: IP67

BAR-HK-A1

300W

51.6inc

- * Operating Voltage: 10-30V,DC
- * Rated Power: 300W
- * LEDs: Cree, 100pcs
- * Raw Lumens:30000lm
- * Color Temp.: 6000~6500K
- * Operating Temp.: -40 to +60 degrees
- * Beam: Flood/spot/combo
- * Material: PC cover, Alu. housing, silicone harness
- * Brackets: thick side legs, with rubber foot gasket
- * Bar Size: 51.6inch
- * IP Rating: IP67



Approved



Approved

CURVED



BAR-HK-A2

120W

21.5inch

- * Operating Voltage: 10-30V,DC
- * Rated Power: 120W
- * LEDs: Cree, 40pcs
- * Raw Lumens:12000lm
- * Color Temp.: 6000~6500K
- * Operating Temp.: -40 to +60 degrees
- * Beam: Flood/spot/combo
- * Material: PC cover, Alu. housing, silicone harness
- * Brackets: thick side legs, with rubber foot gasket
- * Bar Size: 21.5inch
- * IP Rating: IP67

CURVED



BAR-HK-A2

180W

31.5inch

- * Operating Voltage: 10-30V,DC
- * Rated Power: 180W
- * LEDs: Cree, 60pcs
- * Raw Lumens:18000lm
- * Color Temp.: 6000~6500K
- * Operating Temp.: -40 to +60 degrees
- * Beam: Flood/spot/combo
- * Material: PC cover, Alu. housing, silicone harness
- * Brackets: thick side legs, with rubber foot gasket
- * Bar Size: 31.5inch
- * IP Rating: IP67

CURVED



BAR-HK-A2

240W

41.6inch

- * Operating Voltage: 10-30V,DC
- * Rated Power: 240W
- * LEDs: Cree, 80pcs
- * Raw Lumens:24000lm
- * Color Temp.: 6000~6500K
- * Operating Temp.: -40 to +60 degrees
- * Beam: Flood/spot/combo
- * Material: PC cover, Alu. housing, silicone harness
- * Brackets: thick side legs, with rubber foot gasket
- * Bar Size:41.6inch
- * IP Rating: IP67



Approved



Approved



CURVED

BAR-HK-A2

288W

49.6inch

- * Operating Voltage: 10-30V,DC
- * Rated Power:288W
- * LEDs: Cree, 96pcs
- * Raw Lumens:28800lm
- * Color Temp.: 6000~6500K
- * Operating Temp.: -40 to +60 degrees
- * Beam: Flood/spot/combo
- * Material: PC cover, Alu. housing, silicone harness
- * Brackets: thick side legs, with rubber foot gasket
- * Bar Size: 49.6inch
- * IP Rating: IP67



CURVED

BAR-HK-A2

300W

51.6inch

- * Operating Voltage: 10-30V,DC
- * Rated Power: 300W
- * LEDs: Cree, 100pcs
- * Raw Lumens:30000lm
- * Color Temp.: 6000~6500K
- * Operating Temp.: -40 to +60 degrees
- * Beam: Flood/spot/combo
- * Material: PC cover, Alu. housing, silicone harness
- * Brackets: thick side legs, with rubber foot gasket
- * Bar Size:51.6inch
- * IP Rating: IP67



Approved



Approved

BAR-HK-D

18W

4inch

- * Operating Voltage: 10-30V,DC
- * Rated Power: 18W
- * LEDs: Cree, 6pcs
- * Raw Lumens:1800lm
- * Color Temp.: 6000~6500K
- * Operating Temp.: -40 to +60 degrees
- * Beam: Flood/spot
- * Material: PC cover, Alu. housing, silicone harness
- * Brackets: Thick slidable iron bracket, 304# SS screws
- * Bar Size: 4inch
- * IP Rating: IP67



BAR-HK-D

36W

6.5inch

- * Operating Voltage: 10-30V,DC
- * Rated Power: 36W
- * LEDs: Cree, 12pcs
- * Raw Lumens:3600lm
- * Color Temp.: 6000~6500K
- * Operating Temp.: -40 to +60 degrees
- * Beam: Flood/spot
- * Material: PC cover, Alu. housing, silicone harness
- * Brackets: Thick slidable iron bracket, 304# SS screws
- * Bar Size: 6.5inch
- * IP Rating: IP67



BAR-HK-D

54W

9inch

- * Operating Voltage: 10-30V,DC
- * Rated Power: 54W
- * LEDs: Cree, 18pcs
- * Raw Lumens:5400lm
- * Color Temp.: 6000~6500K
- * Operating Temp.: -40 to +60 degrees
- * Beam: Flood/spot/combo
- * Material: PC cover, Alu. housing, silicone harness
- * Brackets: Thick slidable iron bracket, 304# SS screws
- * Bar Size: 9inch
- * IP Rating: IP67



BAR-HK-D

72W

12inch

- * Operating Voltage: 10-30V,DC
- * Rated Power: 72W
- * LEDs: Cree, 24pcs
- * Raw Lumens: 7200lm
- * Color Temp.: 6000~6500K
- * Operating Temp.: -40 to +60 degrees
- * Beam: Flood/spot/combo
- * Material: PC cover, Alu. housing, silicone harness
- * Brackets: Thick slidable iron bracket, 304# SS screws
- * Bar Size: 12inch
- * IP Rating: IP67





Approved



Approved

BAR-HK-D

90W

14.6inc

- * Operating Voltage: 10-30V,DC
- * Rated Power: 90W
- * LEDs: Cree, 30pcs
- * Raw Lumens:9000lm
- * Color Temp.: 6000~6500K
- * Operating Temp.: -40 to +60 degrees
- * Beam: Flood/spot/combo
- * Material: PC cover, Alu. housing, silicone harness
- * Brackets: Thick slidable iron bracket, 304# SS screws
- * Bar Size: 14.6inch
- * IP Rating: IP67



BAR-HK-D

108W

17inch

- * Operating Voltage: 10-30V,DC
- * Rated Power: 108W
- * LEDs: Cree, 36pcs
- * Raw Lumens: 10800lm
- * Color Temp.: 6000~6500K
- * Operating Temp.: -40 to +60 degrees
- * Beam: Flood/spot/combo
- * Material: PC cover, Alu. housing, silicone harness
- * Brackets: Thick slidable iron bracket, 304# SS screws
- * Bar Size: 17inch
- * IP Rating: IP67



BAR-HK-D

126W

20inch

- * Operating Voltage: 10-30V,DC
- * Rated Power: 126W
- * LEDs: Cree, 42pcs
- * Raw Lumens: 12600lm
- * Color Temp.: 6000~6500K
- * Operating Temp.: -40 to +60 degrees
- * Beam: Flood/spot/combo
- * Material: PC cover, Alu. housing, silicone harness
- * Brackets: Thick slidable iron bracket, 304# SS screws
- * Bar Size: 20inch
- * IP Rating: IP67



BAR-HK-D

180W

28inch

- * Operating Voltage: 10-30V,DC
- * Rated Power: 180W
- * LEDs: Cree, 60pcs
- * Raw Lumens: 18000lm
- * Color Temp.: 6000~6500K
- * Operating Temp.: -40 to +60 degrees
- * Beam: Flood/spot/combo
- * Material: PC cover, Alu. housing, silicone harness
- * Brackets: Thick slidable iron bracket, 304# SS screws
- * Bar Size: 28inch
- * IP Rating: IP67





Approved



Approved

BAR-HK-D

198W

30.6inch



- * Operating Voltage: 10-30V,DC
- * Rated Power: 198W
- * LEDs: Cree, 66pcs
- * Raw Lumens: 19800lm
- * Color Temp.: 6000~6500K
- * Operating Temp.: -40 to +60 degrees
- * Beam: Flood/spot/combo
- * Material: PC cover, Alu. housing, silicone harness
- * Brackets: Thick slidable iron bracket, 304# SS screws
- * Bar Size: 30.6inch
- * IP Rating: IP67

BAR-HK-D

288W

44inch



- * Operating Voltage: 10-30V,DC
- * Rated Power: 288W
- * LEDs: Cree, 96pcs
- * Raw Lumens: 28800lm
- * Color Temp.: 6000~6500K
- * Operating Temp.: -40 to +60 degrees
- * Beam: Flood/spot/combo
- * Material: PC cover, Alu. housing, silicone harness
- * Brackets: Thick slidable iron bracket, 304# SS screws
- * Bar Size: 44inch
- * IP Rating: IP67

BAR-HK-D

234W

36inch



- * Operating Voltage: 10-30V,DC
- * Rated Power: 234W
- * LEDs: Cree, 78pcs
- * Raw Lumens: 23400lm
- * Color Temp.: 6000~6500K
- * Operating Temp.: -40 to +60 degrees
- * Beam: Flood/spot/combo
- * Material: PC cover, Alu. housing, silicone harness
- * Brackets: Thick slidable iron bracket, 304# SS screws
- * Bar Size: 36inch
- * IP Rating: IP67

BAR-HK-D

306W

46.7inch



- * Operating Voltage: 10-30V,DC
- * Rated Power: 306W
- * LEDs: Cree, 102pcs
- * Raw Lumens: 30600lm
- * Color Temp.: 6000~6500K
- * Operating Temp.: -40 to +60 degrees
- * Beam: Flood/spot/combo
- * Material: PC cover, Alu. housing, silicone harness
- * Brackets: Thick slidable iron bracket, 304# SS screws
- * Bar Size: 46.7inch
- * IP Rating: IP67



Approved



Approved

LED LIGHT BAR

BAR-HK-D02

18W

4inch

- * Operating Voltage: 10-30V,DC
- * Rated Power: 18W
- * LEDs: Cree, 6pcs
- * Raw Lumens:1800lm
- * Color Temp.: 6000~6500K
- * Operating Temp.: -40 to +60 degrees
- * Beam: Flood/spot/combo
- * Material: PC cover, Alu. housing, silicone harness
- * Brackets: Thick slidable iron bracket, 304# SS screws
- * Bar Size: 4inch
- * IP Rating: IP67

5D



BAR-HK-D02

36W

6.5inch

- * Operating Voltage: 10-30V,DC
- * Rated Power: 36W
- * LEDs: Cree, 12pcs
- * Raw Lumens:3600lm
- * Color Temp.: 6000~6500K
- * Operating Temp.: -40 to +60 degrees
- * Beam: Flood/spot/combo
- * Material: PC cover, Alu. housing, silicone harness
- * Brackets: Thick slidable iron bracket, 304# SS screws
- * Bar Size: 6.5inch
- * IP Rating: IP67

5D



BAR-HK-D02

54W

9inch

- * Operating Voltage: 10-30V,DC
- * Rated Power: 54W
- * LEDs: Cree, 18pcs
- * Raw Lumens:5400lm
- * Color Temp.: 6000~6500K
- * Operating Temp.: -40 to +60 degrees
- * Beam: Flood/spot/combo
- * Material: PC cover, Alu. housing, silicone harness
- * Brackets: Thick slidable iron bracket, 304# SS screws
- * Bar Size: 9inch
- * IP Rating: IP67

5D



BAR-HK-D02

72W

12inch

- * Operating Voltage: 10-30V,DC
- * Rated Power: 72W
- * LEDs: Cree, 24pcs
- * Raw Lumens:3600lm
- * Color Temp.: 6000~6500K
- * Operating Temp.: -40 to +60 degrees
- * Beam: Flood/spot/combo
- * Material: PC cover, Alu. housing, silicone harness
- * Brackets: Thick slidable iron bracket, 304# SS screws
- * Bar Size: 12inch
- * IP Rating: IP67

5D





Approved



Approved

BAR-HK-D02

90W

14.6inch

5D



- * Operating Voltage: 10-30V,DC
- * Rated Power: 90W
- * LEDs: Cree, 30pcs
- * Raw Lumens: 9000lm
- * Color Temp.: 6000~6500K
- * Operating Temp.: -40 to +60 degrees
- * Beam: Flood/spot/combo
- * Material: PC cover, Alu. housing, silicone harness
- * Brackets: Thick slidable iron bracket, 304# SS screws
- * Bar Size: 14.6inch
- * IP Rating: IP67



X2

BAR-HK-D02

126W

20inch

5D



- * Operating Voltage: 10-30V,DC
- * Rated Power: 126W
- * LEDs: Cree, 42pcs
- * Raw Lumens: 12600lm
- * Color Temp.: 6000~6500K
- * Operating Temp.: -40 to +60 degrees
- * Beam: Flood/spot/combo
- * Material: PC cover, Alu. housing, silicone harness
- * Brackets: Thick slidable iron bracket, 304# SS screws
- * Bar Size: 20inch
- * IP Rating: IP67



X2

BAR-HK-D02

108W

17inch

5D



- * Operating Voltage: 10-30V,DC
- * Rated Power: 108W
- * LEDs: Cree, 36pcs
- * Raw Lumens: 10800lm
- * Color Temp.: 6000~6500K
- * Operating Temp.: -40 to +60 degrees
- * Beam: Flood/spot/combo
- * Material: PC cover, Alu. housing, silicone harness
- * Brackets: Thick slidable iron bracket, 304# SS screws
- * Bar Size: 17inch
- * IP Rating: IP67



X2

BAR-HK-D02

180W

28inch

5D



- * Operating Voltage: 10-30V,DC
- * Rated Power: 180W
- * LEDs: Cree, 60pcs
- * Raw Lumens: 18000lm
- * Color Temp.: 6000~6500K
- * Operating Temp.: -40 to +60 degrees
- * Beam: Flood/spot/combo
- * Material: PC cover, Alu. housing, silicone harness
- * Brackets: Thick slidable iron bracket, 304# SS screws
- * Bar Size: 28inch
- * IP Rating: IP67



X2



Approved



Approved

BAR-HK-D02

198W

30.6inc

- * Operating Voltage: 10-30V,DC
 - * Rated Power: 198W
 - * LEDs: Cree, 66pcs
 - * Raw Lumens: 19800lm
 - * Color Temp.: 6000~6500K
 - * Operating Temp.: -40 to +60 degrees
 - * Beam: Flood/spot/combo
 - * Material: PC cover, Alu. housing, silicone harness
 - * Brackets: Thick slidable iron bracket, 304# SS screws
 - * Bar Size: 30.6inch
 - * IP Rating: IP67
- 

5D

X2

BAR-HK-D02

234W

36inch

- * Operating Voltage: 10-30V,DC
 - * Rated Power: 234W
 - * LEDs: Cree, 78pcs
 - * Raw Lumens: 23400lm
 - * Color Temp.: 6000~6500K
 - * Operating Temp.: -40 to +60 degrees
 - * Beam: Flood/spot/combo
 - * Material: PC cover, Alu. housing, silicone harness
 - * Brackets: Thick slidable iron bracket, 304# SS screws
 - * Bar Size: 36inch
 - * IP Rating: IP67
- 

5D

X3

BAR-HK-D02

288W

44inch

- * Operating Voltage: 10-30V,DC
 - * Rated Power: 288W
 - * LEDs: Cree, 96pcs
 - * Raw Lumens: 28800lm
 - * Color Temp.: 6000~6500K
 - * Operating Temp.: -40 to +60 degrees
 - * Beam: Flood/spot/combo
 - * Material: PC cover, Alu. housing, silicone harness
 - * Brackets: Thick slidable iron bracket, 304# SS screws
 - * Bar Size: 44inch
 - * IP Rating: IP67
- 

5D

X3

BAR-HK-D02

306W

46.7inc

- * Operating Voltage: 10-30V,DC
 - * Rated Power: 306W
 - * LEDs: Cree, 102pcs
 - * Raw Lumens: 30600lm
 - * Color Temp.: 6000~6500K
 - * Operating Temp.: -40 to +60 degrees
 - * Beam: Flood/spot/combo
 - * Material: PC cover, Alu. housing, silicone harness
 - * Brackets: Thick slidable iron bracket, 304# SS screws
 - * Bar Size: 46.7inch
 - * IP Rating: IP67
- 

5D

X3



Approved



Approved

BAR-HK-S

9W

4inch

- * Operating Voltage: 10-30V,DC
- * Rated Power: 9W
- * LEDs: Cree, 3pcs
- * Raw Lumens: 900lm
- * Color Temp.: 6000~6500K
- * Operating Temp.: -40 to +60 degrees
- * Beam: Flood/spot
- * Material: PC cover, Alu. housing, silicone harness
- * Brackets: Side Iron legs,304# ss screws
- * Bar Size: 4inch
- * IP Rating: IP67



BAR-HK-S

36W

13.4inch

- * Operating Voltage: 10-30V,DC
- * Rated Power:36W
- * LEDs: Cree, 12pcs
- * Raw Lumens:3600lm
- * Color Temp.: 6000~6500K
- * Operating Temp.: -40 to +60 degrees
- * Beam: Flood/spot/combo
- * Material: PC cover, Alu. housing, silicone harness
- * Brackets: Side Iron legs,304# ss screws
- * Bar Size: 13.4inch
- * IP Rating: IP67



BAR-HK-S

18W

7inch

- * Operating Voltage: 10-30V,DC
- * Rated Power: 18W
- * LEDs: Cree, 6pcs
- * Raw Lumens: 1800lm
- * Color Temp.: 6000~6500K
- * Operating Temp.: -40 to +60 degrees
- * Beam: Flood/spot
- * Material: PC cover, Alu. housing, silicone harness
- * Brackets: Side Iron legs,304# ss screws
- * Bar Size: 7inch
- * IP Rating: IP67



BAR-HK-S

54W

19.5inch

- * Operating Voltage: 10-30V,DC
- * Rated Power: 54W
- * LEDs: Cree, 18pcs
- * Raw Lumens:3600lm
- * Color Temp.: 6000~6500K
- * Operating Temp.: -40 to +60 degrees
- * Beam: Flood/spot/combo
- * Material: PC cover, Alu. housing, silicone harness
- * Brackets: Side Iron legs,304# ss screws
- * Bar Size: 19.5inch
- * IP Rating: IP67





Approved



Approved

BAR-HK-S

72W

25.7inch

- * Operating Voltage: 10-30V,DC
- * Rated Power: 72W
- * LEDs: Cree, 24pcs
- * Raw Lumens: 7200lm
- * Color Temp.: 6000~6500K
- * Operating Temp.: -40 to +60 degrees
- * Beam: Flood/spot/combo
- * Material: PC cover, Alu. housing, silicone harness
- * Brackets: Side Iron legs,304# ss screws
- * Bar Size: 25.7inch
- * IP Rating: IP67

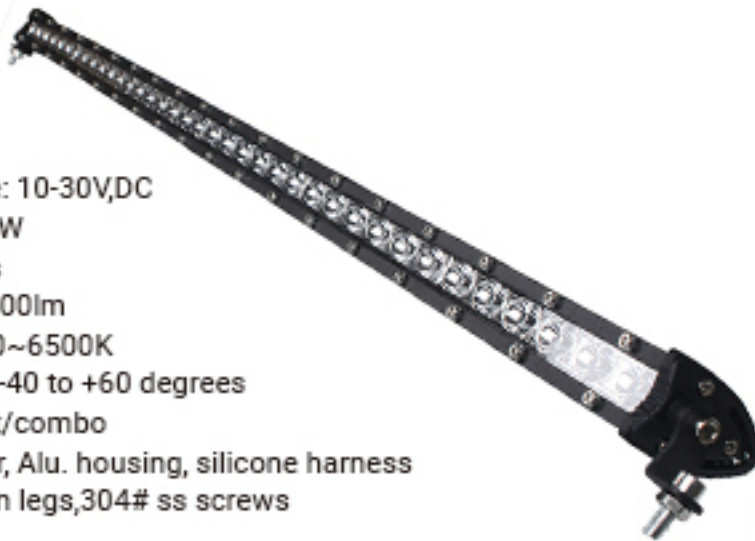


BAR-HK-S

108W

38inch

- * Operating Voltage: 10-30V,DC
- * Rated Power: 108W
- * LEDs: Cree, 36pcs
- * Raw Lumens: 10800lm
- * Color Temp.: 6000~6500K
- * Operating Temp.: -40 to +60 degrees
- * Beam: Flood/spot/combo
- * Material: PC cover, Alu. housing, silicone harness
- * Brackets: Side Iron legs,304# ss screws
- * Bar Size: 38inch
- * IP Rating: IP67



BAR-HK-S

90W

31.9inch

- * Operating Voltage: 10-30V,DC
- * Rated Power: 90W
- * LEDs: Cree, 30pcs
- * Raw Lumens: 9000lm
- * Color Temp.: 6000~6500K
- * Operating Temp.: -40 to +60 degrees
- * Beam: Flood/spot/combo
- * Material: PC cover, Alu. housing, silicone harness
- * Brackets: Side Iron legs,304# ss screws
- * Bar Size: 31.9inch
- * IP Rating: IP67



BAR-HK-S

126W

44.3inch

- * Operating Voltage: 10-30V,DC
- * Rated Power: 126W
- * LEDs: Cree, 42pcs
- * Raw Lumens:12600lm
- * Color Temp.: 6000~6500K
- * Operating Temp.: -40 to +60 degrees
- * Beam: Flood/spot/combo
- * Material: PC cover, Alu. housing, silicone harness
- * Brackets: Side Iron legs,304# ss screws
- * Bar Size: 44.3inch
- * IP Rating: IP67



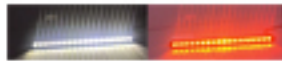


Approved



Approved

Remote Control



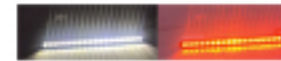
BAR-HK-S-2

36W

13.4inch

- * Operating Voltage: 10-30V,DC
- * Rated Power:36W
- * LEDs: Cree, 12pcs
- * Color Temp.: White steady & flashing, yellow steady & flashing
- * Operating Temp.: -40 to +60 degrees
- * Material: PC cover, Alu. housing, silicone harness
- * Brackets: Side Iron legs,304# ss screws
- * Bar Size: 13.4inch
- * IP Rating: IP67

Remote Control



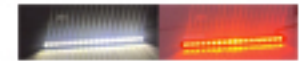
BAR-HK-S-2

54W

19.5inch

- * Operating Voltage: 10-30V,DC
- * Rated Power: 54W
- * LEDs: Cree, 18 pcs
- * Color Temp.: White steady & flashing, yellow steady & flashing
- * Operating Temp.: -40 to +60 degrees
- * Material: PC cover, Alu. housing, silicone harness
- * Brackets: Side Iron legs,304# ss screws
- * Bar Size: 19.5inch
- * IP Rating: IP67

Remote Control



BAR-HK-S-2

72W

25.7inch

- * Operating Voltage: 10-30V,DC
- * Rated Power: 72W
- * LEDs: Cree, 24pcs
- * Color Temp.: White steady & flashing, yellow steady & flashing
- * Operating Temp.: -40 to +60 degrees
- * Material: PC cover, Alu. housing, silicone harness
- * Brackets: Side Iron legs,304# ss screws
- * Bar Size: 25.7inch
- * IP Rating: IP67

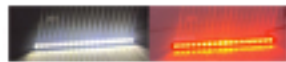


Approved

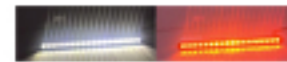


Approved

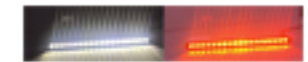
Remote Control



Remote Control



Remote Control



BAR-HK-S-2

90W

31.9inch

- * Operating Voltage: 10-30V,DC
- * Rated Power: 90W
- * LEDs: Cree, 30pcs
- * Color Temp.: White steady & flashing, yellow steady & flashing
- * Operating Temp.: -40 to +60 degrees
- * Material: PC cover, Alu. housing, silicone harness
- * Brackets: Side Iron legs,304# ss screws
- * Bar Size: 31.9inch
- * IP Rating: IP67

BAR-HK-S-2

108W

38inch

- * Operating Voltage: 10-30V,DC
- * Rated Power: 108W
- * LEDs: Cree, 36pcs
- * Color Temp.: White steady & flashing, yellow steady & flashing
- * Operating Temp.: -40 to +60 degrees
- * Material: PC cover, Alu. housing, silicone harness
- * Brackets: Side Iron legs,304# ss screws
- * Bar Size: 38inch
- * IP Rating: IP67

BAR-HK-S-2

126W

44.3inch

- * Operating Voltage: 10-30V,DC
- * Rated Power: 126W
- * LEDs: Cree, 42pcs
- * Color Temp.: White steady & flashing, yellow steady & flashing
- * Operating Temp.: -40 to +60 degrees
- * Material: PC cover, Alu. housing, silicone harness
- * Brackets: Side Iron legs,304# ss screws
- * Bar Size: 44.3inch
- * IP Rating: IP67



Approved



Approved

BAR-HK-D03

36W

4inch

- * Operating Voltage: 10-30V,DC
- * Rated Power: 36W
- * LEDs: SMD3030, 12pcs
- * Raw Lumens:1800lm
- * Color Temp.: 6000~6500K
- * Operating Temp.: -40 to +60 degrees
- * Material: PC cover, Alu. housing, silicone harness
- * Brackets: Slidable iron bracket
- * Bar Size: 4inch
- * IP Rating: IP67

3Rows



BAR-HK-D03

72W

7inch

- * Operating Voltage: 10-30V,DC
- * Rated Power: 72W
- * LEDs: SMD3030, 24pcs
- * Raw Lumens: 3600lm
- * Color Temp.: 6000~6500K
- * Operating Temp.: -40 to +60 degrees
- * Material: PC cover, Alu. housing, silicone harness
- * Brackets: Slidable iron bracket
- * Bar Size: 7inch
- * IP Rating: IP67

3Rows



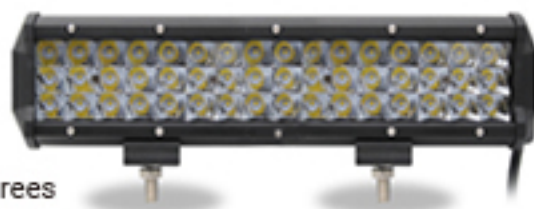
BAR-HK-D03

144W

12inch

- * Operating Voltage: 10-30V,DC
- * Rated Power: 144W
- * LEDs: Cree, 48pcs
- * Raw Lumens: 7200lm
- * Color Temp.: 6000~6500K
- * Operating Temp.: -40 to +60 degrees
- * Material: PC cover, Alu. housing, silicone harness
- * Brackets: Slidable iron bracket
- * Bar Size: 12inch
- * IP Rating: IP67

3Rows



BAR-HK-D03

252W

20inch

- * Operating Voltage: 10-30V,DC
- * Rated Power: 252W
- * LEDs: Cree, 84pcs
- * Raw Lumens: 12600lm
- * Color Temp.: 6000~6500K
- * Operating Temp.: -40 to +60 degrees
- * Material: PC cover, Alu. housing, silicone harness
- * Brackets: Slidable iron bracket
- * Bar Size: 20inch
- * IP Rating: IP67

3Rows





Approved



Approved

BAR-HK-D03

360W

28inch

3Rows



- * Operating Voltage: 10-30V,DC
- * Rated Power: 360W
- * LEDs: SMD3030, 120pcs
- * Raw Lumens: 18000lm
- * Color Temp.: 6000~6500K
- * Operating Temp.: -40 to +60 degrees
- * Material: PC cover, Alu. housing, silicone harness
- * Brackets: Slidable iron bracket
- * Bar Size: 28inch
- * IP Rating: IP67

BAR-HK-D03

396W

31inch

3Rows



- * Operating Voltage: 10-30V,DC
- * Rated Power: 396W
- * LEDs: SMD3030, 132pcs
- * Raw Lumens: 19800lm
- * Color Temp.: 6000~6500K
- * Operating Temp.: -40 to +60 degrees
- * Material: PC cover, Alu. housing, silicone harness
- * Brackets: Slidable iron bracket
- * Bar Size: 31inch
- * IP Rating: IP67

BAR-HK-D03

468W

36inch

3Rows



- * Operating Voltage: 10-30V,DC
- * Rated Power: 468W
- * LEDs: SMD3030, 156pcs
- * Raw Lumens: 23400lm
- * Color Temp.: 6000~6500K
- * Operating Temp.: -40 to +60 degrees
- * Material: PC cover, Alu. housing, silicone harness
- * Brackets: Slidable iron bracket
- * Bar Size: 36inch
- * IP Rating: IP67

BAR-HK-D03

576W

44inch

3Rows



- * Operating Voltage: 10-30V,DC
- * Rated Power: 576W
- * LEDs: SMD3030, 192pcs
- * Raw Lumens: 28800lm
- * Color Temp.: 6000~6500K
- * Operating Temp.: -40 to +60 degrees
- * Material: PC cover, Alu. housing, silicone harness
- * Brackets: Slidable iron bracket
- * Bar Size: 44inch
- * IP Rating: IP67



Approved



Approved

BAR-HK-D08

72W

4inch

- * Operating Voltage: 10-30V,DC
- * Rated Power: 72W
- * LEDs: SMD3030, 24pcs
- * Raw Lumens:3600lm
- * Color Temp.: 6000~6500K
- * Operating Temp.: -40 to +60 degrees
- * Material: PC cover, Alu. housing, silicone harness
- * Brackets: Slidable iron bracket
- * Bar Size: 4inch
- * IP Rating: IP67

4Rows



BAR-HK-D08

144W

7inch

- * Operating Voltage: 10-30V,DC
- * Rated Power: 144W
- * LEDs: SMD3030, 48pcs
- * Raw Lumens: 7200lm
- * Color Temp.: 6000~6500K
- * Operating Temp.: -40 to +60 degrees
- * Material: PC cover, Alu. housing, silicone harness
- * Brackets: Slidable iron bracket
- * Bar Size: 7inch
- * IP Rating: IP67

4Rows



BAR-HK-D04

60W

4inch

- * Operating Voltage: 10-30V,DC
- * Rated Power: 60W
- * LEDs: SMD3030, 20pcs
- * Raw Lumens: 3000lm
- * Color Temp.: 6000~6500K
- * Operating Temp.: -40 to +60 degrees
- * Material: PC cover, Alu. housing, silicone harness
- * Brackets: Slidable iron bracket
- * Bar Size: 4inch
- * IP Rating: IP67



BAR-HK-D04

120W

7inch

- * Operating Voltage: 10-30V,DC
- * Rated Power: 120W
- * LEDs: SMD3030, 40pcs
- * Raw Lumens: 6000lm
- * Color Temp.: 6000~6500K
- * Operating Temp.: -40 to +60 degrees
- * Material: PC cover, Alu. housing, silicone harness
- * Brackets: Slidable iron bracket
- * Bar Size: 7inch
- * IP Rating: IP67





Approved



Approved

BAR-HK-D05

72W

5inch



- * Operating Voltage: 10-30V,DC
- * Rated Power: 72W
- * LEDs: SMD3030, 24pcs
- * Raw Lumens: 3600lm
- * Color Temp.: 6000~6500K
- * Operating Temp.: -40 to +60 degrees
- * Material: PC cover, Alu. housing, silicone harness
- * Brackets: Slidable iron bracket
- * Bar Size: 5inch
- * IP Rating: IP67

BAR-HK-D06

72W

5inch



- * Operating Voltage: 10-30V,DC
- * Rated Power: 72W
- * LEDs: SMD3030, 24pcs
- * Raw Lumens: 3600lm
- * Color Temp.: 6000~6500K
- * Operating Temp.: -40 to +60 degrees
- * Material: PC cover, Alu. housing, silicone harness
- * Brackets: Slidable iron bracket
- * Bar Size: 5inch
- * IP Rating: IP67

BAR-HK-D05

144W

10inch



- * Operating Voltage: 10-30V,DC
- * Rated Power: 144W
- * LEDs: SMD3030, 48pcs
- * Raw Lumens: 7200lm
- * Color Temp.: 6000~6500K
- * Operating Temp.: -40 to +60 degrees
- * Material: PC cover, Alu. housing, silicone harness
- * Brackets: Slidable iron bracket
- * Bar Size: 10inch
- * IP Rating: IP67

BAR-HK-D06

144W

10inch



- * Operating Voltage: 10-30V,DC
- * Rated Power: 144W
- * LEDs: SMD3030, 48pcs
- * Raw Lumens: 7200lm
- * Color Temp.: 6000~6500K
- * Operating Temp.: -40 to +60 degrees
- * Material: PC cover, Alu. housing, silicone harness
- * Brackets: Slidable iron bracket
- * Bar Size: 10inch
- * IP Rating: IP67



Approved



Approved

BAR-HK-D07

54W

5inch

- * Operating Voltage: 10-30V,DC
- * Rated Power: 54W
- * LEDs: SMD3030, 18pcs
- * Raw Lumens: 2700lm
- * Color Temp.: 6000~6500K
- * Operating Temp.: -40 to +60 degrees
- * Material: PC cover, Alu. housing, silicone harness
- * Brackets: Slidable iron bracket
- * Bar Size: 5inch
- * IP Rating: IP67



BAR-HK-D07

108W

10inch

- * Operating Voltage: 10-30V,DC
- * Rated Power: 108W
- * LEDs: SMD3030, 36pcs
- * Raw Lumens: 5400lm
- * Color Temp.: 6000~6500K
- * Operating Temp.: -40 to +60 degrees
- * Material: PC cover, Alu. housing, silicone harness
- * Brackets: Slidable iron bracket
- * Bar Size: 10inch
- * IP Rating: IP67



BAR-HK-D09

36W

4inch

- * Operating Voltage: 10-30V,DC
- * Rated Power: 36W
- * LEDs: SMD3030, 12pcs
- * Raw Lumens: 1800lm
- * Color Temp.: 6000~6500K
- * Operating Temp.: -40 to +60 degrees
- * Material: PC cover, Alu. housing, silicone harness
- * Brackets: Slidable iron bracket
- * Bar Size: 4inch
- * IP Rating: IP67



BAR-HK-D09

72W

7inch

- * Operating Voltage: 10-30V,DC
- * Rated Power: 72W
- * LEDs: SMD3030, 24pcs
- * Raw Lumens: 3600lm
- * Color Temp.: 6000~6500K
- * Operating Temp.: -40 to +60 degrees
- * Material: PC cover, Alu. housing, silicone harness
- * Brackets: Slidable iron bracket
- * Bar Size: 7inch
- * IP Rating: IP67





Approved



Approved

BAR-HK-D09

144W

12inch

- * Operating Voltage: 10-30V,DC
- * Rated Power: 144W
- * LEDs: SMD3030, 48pcs
- * Raw Lumens: 7200lm
- * Color Temp.: 6000~6500K
- * Operating Temp.: -40 to +60 degrees
- * Material: PC cover, Alu. housing, silicone harness
- * Brackets: Slidable iron bracket
- * Bar Size: 12inch
- * IP Rating: IP67



BAR-HK-D09

252W

20inch

- * Operating Voltage: 10-30V,DC
- * Rated Power: 144W
- * LEDs: SMD3030, 84pcs
- * Raw Lumens: 12600lm
- * Color Temp.: 6000~6500K
- * Operating Temp.: -40 to +60 degrees
- * Material: PC cover, Alu. housing, silicone harness
- * Brackets: Slidable iron bracket
- * Bar Size: 20inch
- * IP Rating: IP67



BAR-HK-D09

360W

28inch

- * Operating Voltage: 10-30V,DC
- * Rated Power: 360W
- * LEDs: SMD3030, 120pcs
- * Raw Lumens: 18000lm
- * Color Temp.: 6000~6500K
- * Operating Temp.: -40 to +60 degrees
- * Material: PC cover, Alu. housing, silicone harness
- * Brackets: Slidable iron bracket
- * Bar Size: 28inch
- * IP Rating: IP67



BAR-HK-D09

396W

31inch

- * Operating Voltage: 10-30V,DC
- * Rated Power: 396W
- * LEDs: SMD3030, 132pcs
- * Raw Lumens: 19800lm
- * Color Temp.: 6000~6500K
- * Operating Temp.: -40 to +60 degrees
- * Material: PC cover, Alu. housing, silicone harness
- * Brackets: Slidable iron bracket
- * Bar Size: 31inch
- * IP Rating: IP67





Approved



Approved



E9

BAR-HK-D09

468W

36inch



- * Operating Voltage: 10-30V,DC
- * Rated Power: 468W
- * LEDs: SMD3030, 156pcs
- * Raw Lumens: 23400lm
- * Color Temp.: 6000~6500K
- * Operating Temp.: -40 to +60 degrees
- * Material: PC cover, Alu. housing, silicone harness
- * Brackets: Slidable iron bracket
- * Bar Size: 36inch
- * IP Rating: IP67

BAR-HK-D0503

216W

15inch



- * Operating Voltage: 10-30V,DC
- * Rated Power: 216W
- * LEDs: SMD3030, 72pcs
- * Raw Lumens: 10800lm
- * Color Temp.: 6000~6500K
- * Operating Temp.: -40 to +60 degrees
- * Material: PC cover, Alu. housing, silicone harness
- * Brackets: Slidable iron bracket
- * Bar Size: 15inch
- * IP Rating: IP67

BAR-HK-D09

576W

44inch



- * Operating Voltage: 10-30V,DC
- * Rated Power: 576W
- * LEDs: SMD3030, 192pcs
- * Raw Lumens: 28800lm
- * Color Temp.: 6000~6500K
- * Operating Temp.: -40 to +60 degrees
- * Material: PC cover, Alu. housing, silicone harness
- * Brackets: Slidable iron bracket
- * Bar Size: 44inch
- * IP Rating: IP67

BAR-HK-D0503

252W

18inch



- * Operating Voltage: 10-30V,DC
- * Rated Power: 252W
- * LEDs: SMD3030, 84pcs
- * Raw Lumens: 12600lm
- * Color Temp.: 6000~6500K
- * Operating Temp.: -40 to +60 degrees
- * Material: PC cover, Alu. housing, silicone harness
- * Brackets: Slidable iron bracket
- * Bar Size: 18inch
- * IP Rating: IP67



Approved



Approved

BAR-HK-D0503

504W

37inch



- * Operating Voltage: 10-30V,DC
- * Rated Power: 504W
- * LEDs: SMD3030, 168pcs
- * Raw Lumens: 25200lm
- * Color Temp.: 6000~6500K
- * Operating Temp.: -40 to +60 degrees
- * Material: PC cover, Alu. housing, silicone harness
- * Brackets: Slidable iron bracket
- * Bar Size: 37inch
- * IP Rating: IP67

BAR-HK-D0503

576W

43inch



- * Operating Voltage: 10-30V,DC
- * Rated Power: 576W
- * LEDs: SMD3030, 192pcs
- * Raw Lumens: 28800lm
- * Color Temp.: 6000~6500K
- * Operating Temp.: -40 to +60 degrees
- * Material: PC cover, Alu. housing, silicone harness
- * Brackets: Slidable iron bracket
- * Bar Size: 43inch
- * IP Rating: IP67

BAR-HK-D0503

540W

39inch



- * Operating Voltage: 10-30V,DC
- * Rated Power: 540W
- * LEDs: SMD3030, 180pcs
- * Raw Lumens: 27000lm
- * Color Temp.: 6000~6500K
- * Operating Temp.: -40 to +60 degrees
- * Material: PC cover, Alu. housing, silicone harness
- * Brackets: Slidable iron bracket
- * Bar Size: 39inch
- * IP Rating: IP67

BAR-HK-D10

84W

5inch



- * Operating Voltage: 10-30V,DC
- * Rated Power: 84W
- * LEDs: SMD3030, 28pcs
- * Raw Lumens: 4200lm
- * Color Temp.: 6000~6500K
- * Operating Temp.: -40 to +60 degrees
- * Material: PC cover, Alu. housing, silicone harness
- * Brackets: Slidable iron bracket
- * Bar Size: 5inch
- * IP Rating: IP67



LED SEALED BEAM



Approved

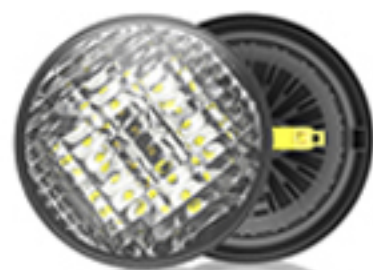


Approved

HK-P36

18W

- * 10-80V DC
- * Cree LEDs
- * Raw 1800lm
- * 6000~6500K
- * Trapezoidal beam
- * PC, Diecast Alu
- * IP67
- * 4.4inch



HK-P56

30W

- * 10-80V DC
- * CSP chips
- * hi/lo 30W/15W
- * Raw 3000lm/1500lm
- * 6000~6500K
- * High low beam
- * PC, Diecast Alu.
- * IP67
- * 7inch



HK-DR03

75W

- * 10-30V DC
- * Cree LEDs
- * 6000~6500K
- * high low beam + drl
- * PC,Diecast Alu., 304# SS
- * IP67
- * 7inch



HK-DR04

65W

- * 10-30V DC
- * Cree LEDs
- * 6000~6500K
- * high low beam + drl
- * PC,Diecast Alu., 304# SS
- * IP67
- * 7inch



HK-DR05

30W

- * 10-30V DC
- * Cree LEDs
- * 6000~6500K
- * fog light + drl
- * PC,Diecast Alu., 304# SS
- * IP67
- * 4.5inch



HK-DR06

30W

- * 10-30V DC
- * Cree LEDs
- * 6000~6500K
- * fog light
- * PC,Diecast Alu., 304# SS
- * IP67
- * 4.5inch



HK-BL01

1.5W

- * LED Power: 1.5W
- * LED Quantity: 8LEDs
- * Size: 10.5*9.6*2.5cm



HK-BL02

1.8W

- * LED Power: 1.8W
- * LED Quantity: 10LEDs
- * Size: 10.5*9.6*2.5cm





Approved



Approved

HK-HL01

45W

- * 10-30V,DC
- * Epistar LEDs
- * 6000~6500K
- * High/low beam
- * PC,Diecast Alu., 304# SS
- * 165*110*80mm



HK-HL02

45W

- * 10-30V,DC
- * Epistar LEDs
- * 6000~6500K
- * High/low beam
- * PC,Diecast Alu., 304# SS
- * 170*105*80mm
- * Y type brakcet or bottom bracket



HK-HL03

45W

- * 10-30V,DC
- * Epistar LEDs
- * 6000~6500K
- * High/low beam
- * PC,Diecast Alu., 304# SS
- * 200*140*75mm



HK-HL04

45W

- * 10-30V,DC
- * Epistar LEDs
- * 6000~6500K
- * High/low beam +drl
- * PC,Diecast Alu., 304# SS
- * 170*105*80mm



HK-HL05

45W

- * 10-30V,DC
- * Epistar LEDs
- * 6000~6500K
- * High/low beam +drl
- * PC,Diecast Alu., 304# SS
- * 200*140*75mm



HK-HL02-2

45W

- * 10-30V,DC
- * Epistar LEDs
- * 6000~6500K
- * High/low beam
- * PC,Diecast Alu., 304# SS
- * 170*105*80mm
- * NEON: red,yellow,blue



HK-HL03-2

45W

- * 10-30V,DC
- * Epistar LEDs
- * 6000~6500K
- * High/low beam
- * PC,Diecast Alu., 304# SS
- * 200*140*75mm
- * NEON: red,yellow,blue



HK-DR01

40W

- * 10-30V DC
- * Cree LEDs
- * 6000~6500K
- * high low beam + drl
- * PC,Diecast Alu., 304# SS
- * 5.75inch



HK-DR02

60W

- * 10-30V DC
- * Cree LEDs
- * 6000~6500K
- * high low beam + drl
- * PC,Diecast Alu., 304# SS
- * 7inch



LED HEADLIGHT





MX17

Models available:

H1/H2/H4/H8/H9/H11

HB3/HB4/9012/H15/H27/880/881



Optic lens - true focused Beam



360 rotation - ease of adjustment, for optimal light output



Integrated fan - increasing airflow, much lower noise



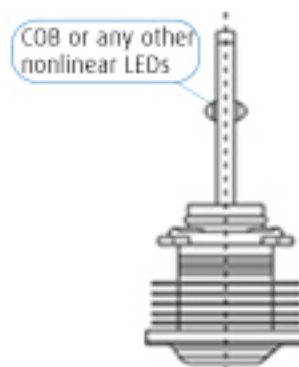
Collars removable - ease of installation



Compact design - Smaller bulb bottom, compatible with almost 95% vehicles

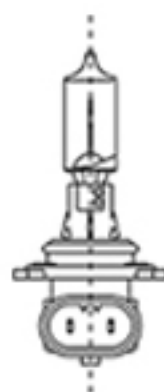
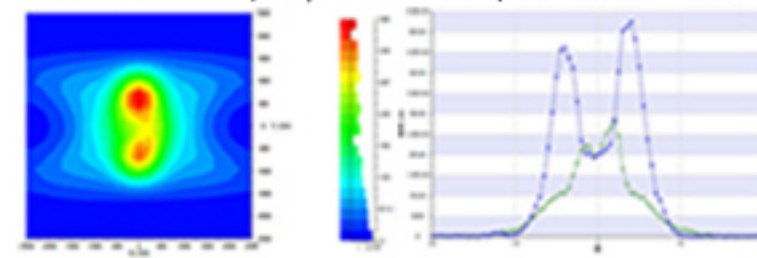
MX17 True focused light pattern

Unique lens provides true focused light pattern

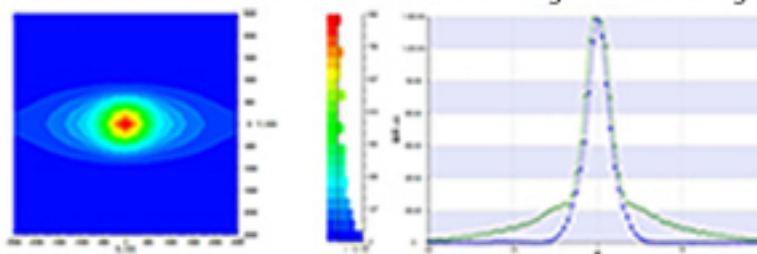


COB or any other nonlinear LEDs

The light source is off focal axis, light intensity distribution scatters outwards, very weak at axis, insufficient illumination.



With unique aspheric optical lens, the light source is refracted and 100% consistent with original car halogen





**FORKLIFT
WARNING
LIGHT**



Approved



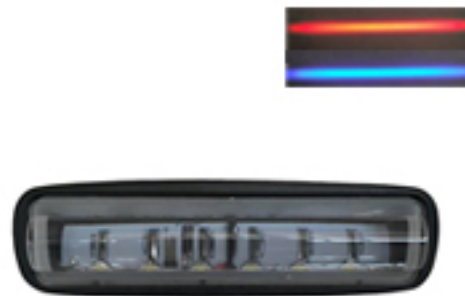
Approved

FORKLIFT WARNING LIGHT

HK-SS09

18W

- * 10-80V,DC
- * Cree LEDS
- * Blue/Red/White, linear beam
- * PC,Diecast Alu., 304# SS
- * 155*43*60mm
- * IP67



HK-TY04

20W

- * 10-80V,DC
- * Cree LEDS
- * Blue/Red/White, Spot beam
- * PC,Diecast Alu., 304# SS
- * 89*144*61mm
- * IP67



HK-SS10

12W

- * 10-80V,DC
- * SMD chips 12pcs
- * Strobe flashing
- * Housing Color:red amber blue
- * 90mm wide (top),
129mm wide(bottom),95mm in height
- * IP67



HK-SS11

30W

- * 10-80V,DC
- * SMD chips 30pcs
- * Strobe flashing
- * Housing Color:red amber blue
- * 60mm wide (top),
100mm wide(bottom),135mm in height
- * IP67



HK-SS12

14W

- * 10-48V,DC
- * SMD chips 14pcs
- * Materials: ABS housing and PMMA lens
- * LED Color: white,red,amber
- * Stop/Tail/Turn/Backup light
- * IP67





Approved



Approved

HK-SS05

20W

- * 10-80V,DC
- * Cree LEDS
- * Blue/Red/White, Spot beam
- * PC,Diecast Alu., 304# SS
- * 92*62*75mm
- * IP67



HK-SS06

20W

- * 10-80V,DC
- * Cree LEDS
- * Blue/Red/White, Spot beam
- * PC,Diecast Alu., 304# SS
- * 92*62*75mm
- * IP67



HK-SS07

20W

- * 10-80V,DC
- * Cree LEDS
- * Blue/Red/White, linear beam
- * PC,Diecast Alu., 304# SS
- * 92*62*75mm
- * IP67



HK-SS08

20W

- * 10-80V,DC
- * Cree LEDS
- * Blue/Red/White, Spot beam
- * PC,Diecast Alu., 304# SS
- * 125*143*90mm
- * IP67





MOTORCYCLE LED LIGHT



Approved



Approved

MOTORCYCLE LED LIGHT



HK-U5

20W

PARAMETERS

Input Voltage:10-80V,DC
Rated Power: 20W
LEDs: Cree
Raw Lumens: 2000lm
Color Temp.: 6000-6500K
Beam Pattern: High low beam+strobe
OEM : U5 model

STRUCTURES

Housing Materials: Die-Cast Alu.
Lens Materials: PC
Brackets: 304# SS
Harness: Silicone
Lamp Housing Color: Red, blue, chrome, yellow, black

APPLICATION

Universal fit for bicycle, motorcycle, car, truck,boat,etc.



HK-U7

20W

PARAMETERS

Input Voltage:10-80V,DC
Rated Power: 20W
LEDs: Cree
Raw Lumens: 2000lm
Color Temp.: 6000-6500K
Beam Pattern: High low beam+strobe +angle eye
Angel Eye Color: Red, blue, white, yellow
OEM : U7 model

STRUCTURES

Housing Materials: Die-Cast Alu.
Lens Materials: PC
Brackets: 304# SS
Harness: Silicone
Lamp Housing Color: Red, blue, chrome, yellow, black

APPLICATION

Universal fit for bicycle, motorcycle, car, truck,boat,etc.



HK-HL06

20W

PARAMETERS

Input Voltage:10-30V,DC
Rated Power: 20W
LEDs: Cree
Raw Lumens: 2000lm
Color Temp.: 6000-6500K
Beam Pattern: Low Beam + Angle Eyes
Angel Eye Color: Red, blue, white, yellow

STRUCTURES

Housing Materials: Die-Cast Alu.
Lens Materials: PC
Brackets: 304# SS
Harness: Silicone
Size: 73*108*55

APPLICATION

Universal fit for bicycle, motorcycle, car, truck,boat,etc.



HK-HL07

20W

PARAMETERS

Input Voltage:10-30V,DC
Rated Power: 20W
LEDs: Cree
Raw Lumens: 2000lm
Color Temp.: 6000-6500K
Beam Pattern: Low Beam,Angle Eyes
Angel Eye Color: Red, blue, white, yellow

STRUCTURES

Housing Materials: Die-Cast Alu.
Lens Materials: PC
Brackets: 304# SS
Harness: Silicone
Size: 73*108*55

APPLICATION

Universal fit for bicycle, motorcycle, car, truck,boat,etc.



东莞市霍晶光电科技有限公司

Dongguang Hawking LED Lighting co, LTD

Tel 电话: 0086-769-21688131

Web 网址: www.hawkingled.com

Fax 传真: 0086-769-21688130

Email 邮箱: sales@hawkingled.com

ADD 地址: Building A, Henghaofeng Industrial Park, Shui Lianshan Road, Nancheng District, Dongguan City-523085, China (东莞市南城区水濂山路恒浩锋工业园)